


## Model Tübingen



**FEATURE** - made of stainless steel.  
Key cabinets with a system, which enables easy and individual hooks arrangements.  
There is a possibility to arrange hooks of different length (3 types). Index holder in Standard.

Suitable for the storage of:  
 key

**Description**  
Tübingen series - key cabinet.

**Body:** single-walled body (1 mm thick)  
**Door:** single-walled door (1 mm thick)  
**Locking:** 1-way locking system

**Standard option**  
**Lock:** cylindrical lock with two keys  
**Hinges:** internal  
**Door opening angle:** 120°  
**Mounting holes:** 4 holes in back wall

## Model Tübingen

Art. No.	Model	Outer dimensions*			Inner dimensions			Anchoring		Hooks in total	Weight
		Height mm	Width mm	Depth mm	Height mm	Width mm	Depth mm	Bottom number	Backwall number	Number	Kg
07600	Tübingen	350	270	130	348	268	129	0	4	40	4,0
07601	Tübingen	450	300	130	448	298	129	0	4	60	6,5
07602	Tübingen	550	380	130	548	378	129	0	4	90	9,0
07603	Tübingen	550	380	210	548	378	209	0	4	180	13,0

\* excluding hinges, handles and fittings



Body: single-walled body (1 mm thick)



Door: single-walled door (1 mm thick)

### Closure options

Standard

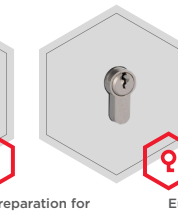


Cam lock

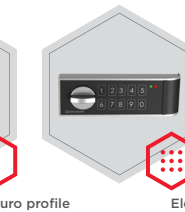
Options available against surcharge



Preparation for Euro profile lock



Euro profile lock



Electronic lock

### Accessories available against surcharge




Key rings



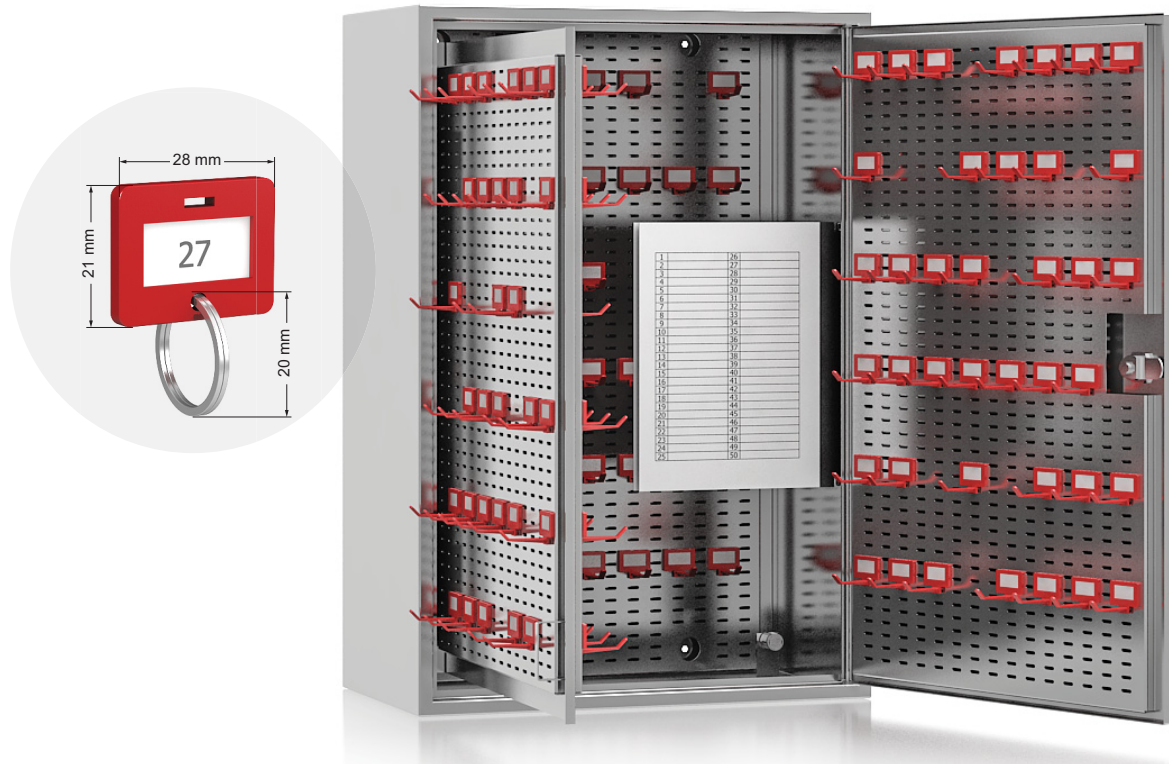
Hooks

### Colour options without surcharge

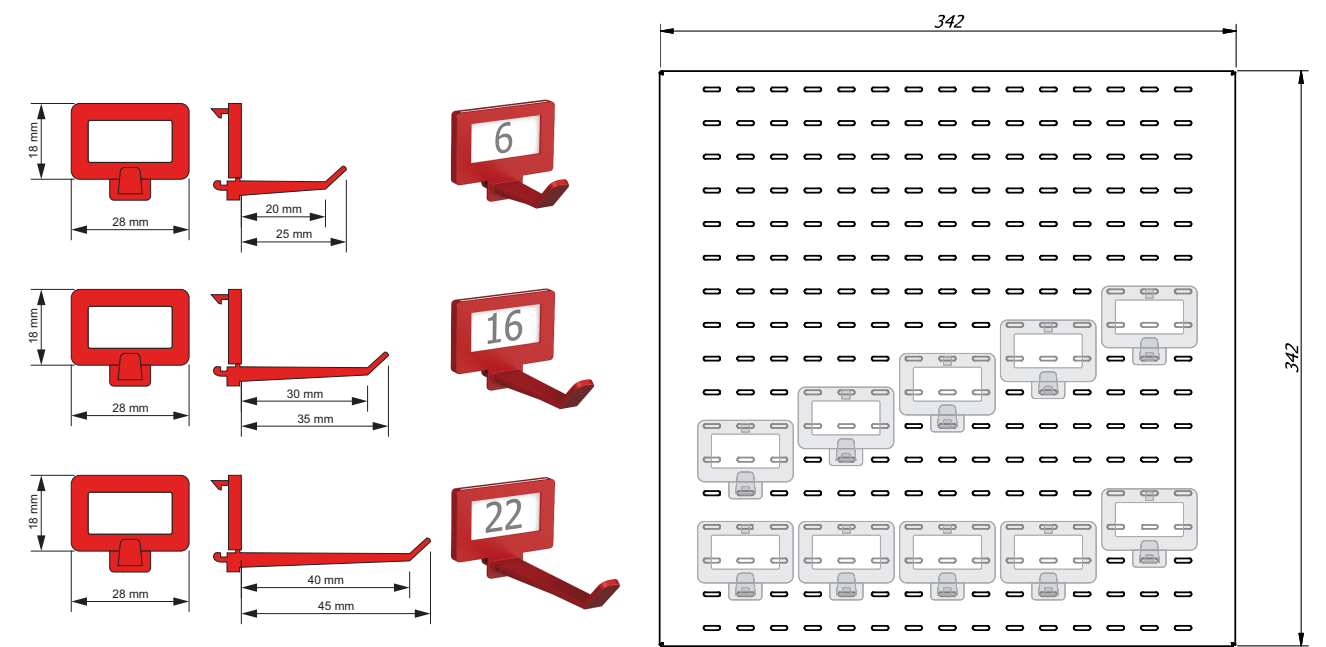






 All information concerning weight, color and dimensions are noncommittal and subject to errors and changes. Minor deviations are conditional on the production process. Technical changes, modifications and printing errors reserved. Safes may be top-heavy, during commissioning, please exercise appropriate caution in accordance with the installation guide. Pictograms are not technical description of the product.

The picture shows an example of a key cabinet - model Tübingen Art. no. 07603.

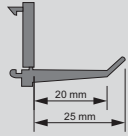
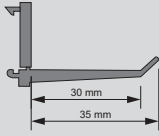
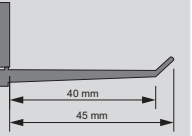













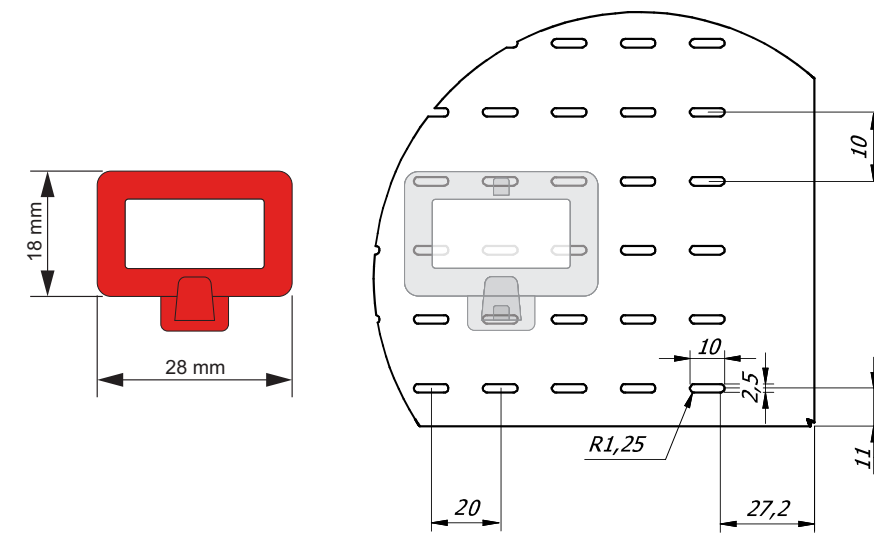
Hooks assembly system.



Art. No.	Model	Hook bars	Hooks on hook bar	Partition wall	Hooks in total
					
		Number	Number	Number	Number
07600	Tübingen	-	-	-	40
07601	Tübingen	-	-	-	60
07602	Tübingen	-	-	-	90
07603	Tübingen	-	-	1	180

Hook bar and key ring options against surcharge.

					
 blue	Art. 02532	Art. 02527	Art. 02520	 blue	Art. 15023.00
 green	Art. 02531	Art. 02526	Art. 02524	 green	Art. 15023.01
 yellow	Art. 02530	Art. 02525	Art. 02523	 yellow	Art. 15023.02
 red	Art. 02533	Art. 02528	Art. 02521	 red	Art. 15023.03
 black	Art. 02534	Art. 02529	Art. 02522	 black	Art. 15023.04



Hook assembly instructions.

