



Model Freiburg



Security level: Class S1 according to EN 14450
Security level: A according to VDMA 24992 - Conditions May '95

SPECIAL FEATURE - safe equipped with 200 mm high inner safe.

Suitable for the storage of:
 long, short weapons
 ammunition

Description
 Freiburg series - gun safes, gun storage space 1250 mm height.

Body: single-walled body (3 mm thick)
Door: double-walled door construction (52 mm thick)
Locking: 4-way locking bolt system - incl. overlapping profile on the hinge side

Standard option
Lock: high security key lock I class VdS with two keys (65 mm)
Boltwork handle: knob, protruding 12 mm
Hinges: external
Door opening angle: 90°
Mounting holes: 2 holes in the floor and back wall
Colour: RAL 7035 (light grey)



Model Freiburg

Art. No.	Model	Outer dimensions*			Inner dimensions			Door light		Anchoring		Weight Kg	Shelves Number	Weapon brackets Number	Internal safe Height mm
		Height mm	Width mm	Depth mm	Height mm	Width mm	Depth mm	Height mm	Width mm	Bottom number	Backwall number				
51000	Freiburg	1500	350	360	1312	344	259	1410	174	2	2	86	-	6	200
51001	Freiburg	1500	500	360	1312	494	259	1410	324	2	2	109	-	9	200
51002	Freiburg	1500	560	360	1312	554	259	1410	384	2	2	115	-	10	200
51003	Freiburg	1500	700	360	1312	694	259	1410	524	2	2	140	-	12	200

* excluding hinges, handles and fittings



Body: single-walled body (3 mm thick)



Door: double-walled door construction (52 mm thick)

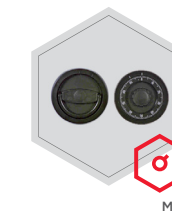
Closure options

Standard option



Key lock

Options available against surcharge



Mechanical code lock

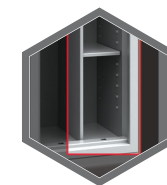


Electronic lock



Electronic lock with mechanical emergency

Accessories available against surcharge

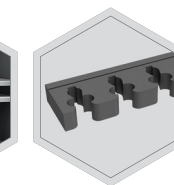


Partition wall with shelves

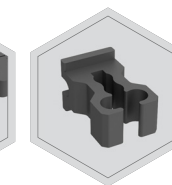
Alternative options



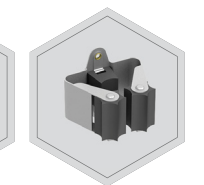
Left door



Gun holder (65 mm)




Rubbery gun holder



PRAX gun holder



 All information concerning weight, color and dimensions are noncommittal and subject to errors and changes. Minor deviations are conditional on the production process. Technical changes, modifications and printing errors reserved. Safes may be top-heavy, during commissioning, please exercise appropriate caution in accordance with the installation guide. Pictograms are not technical description of the product.

The image depicts a sample of a gun safe - **St.Gallen 56402** with additional equipment.



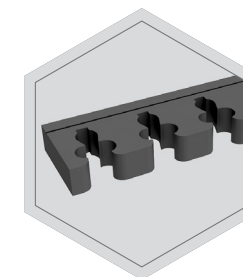
With options **left door** - internal equipment will be located opposite to the standard - the so-called mirror reflection



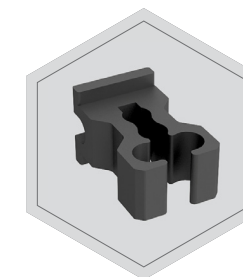
Option with **partition wall** - the amount of gun holders and the location of the shelves is needed



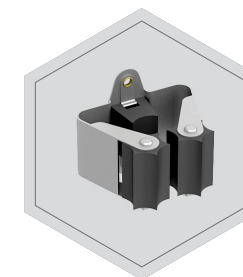
Gun holder



Gun holders with 55 mm span



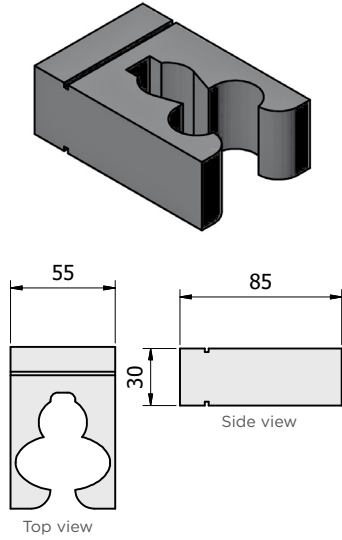
Rubbery gun holders



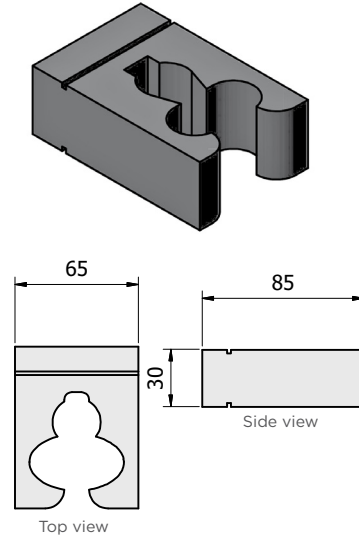
PRAX gun holders

Foam gun holders

Standard foam gun holder with 55 mm span

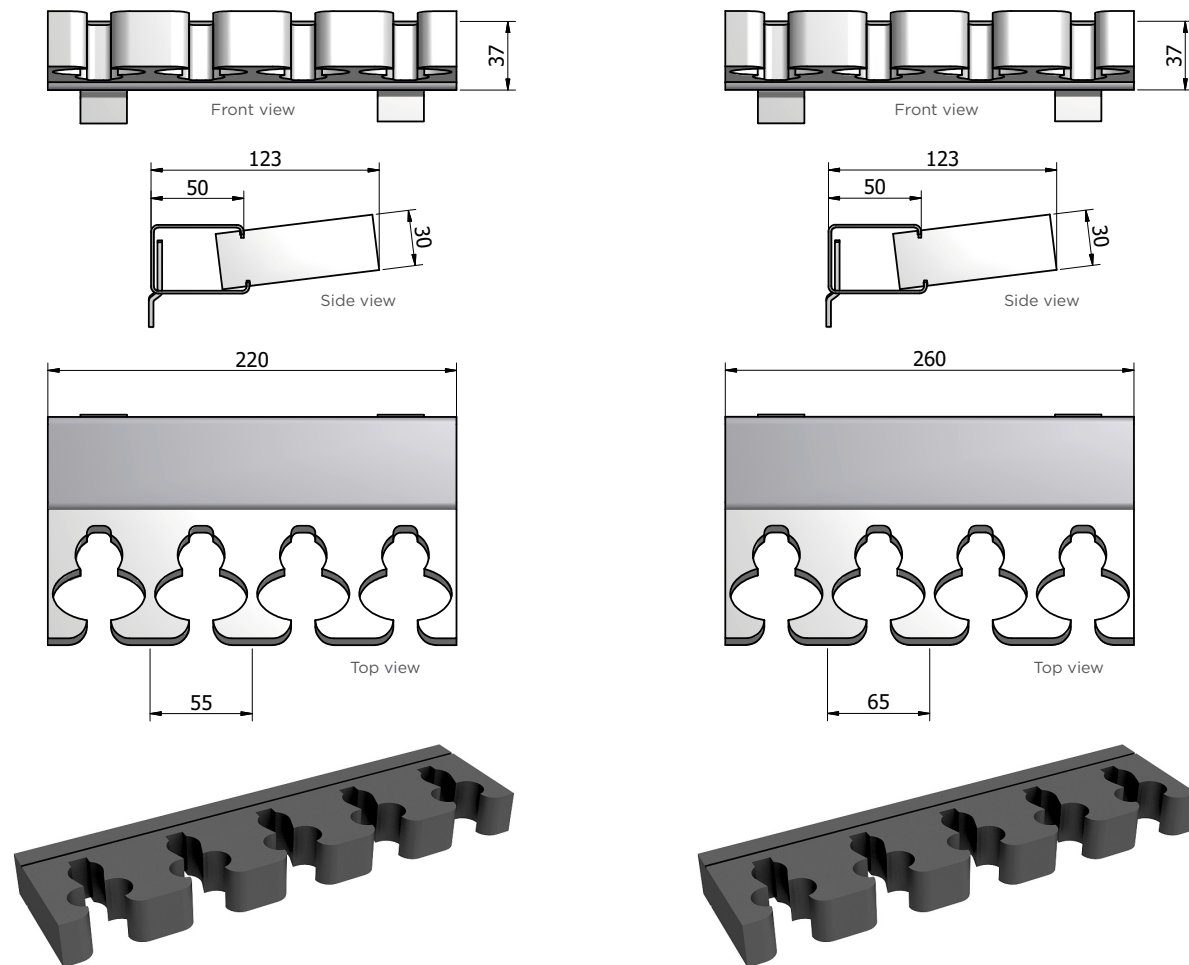


Foam gun holder with 65 mm span



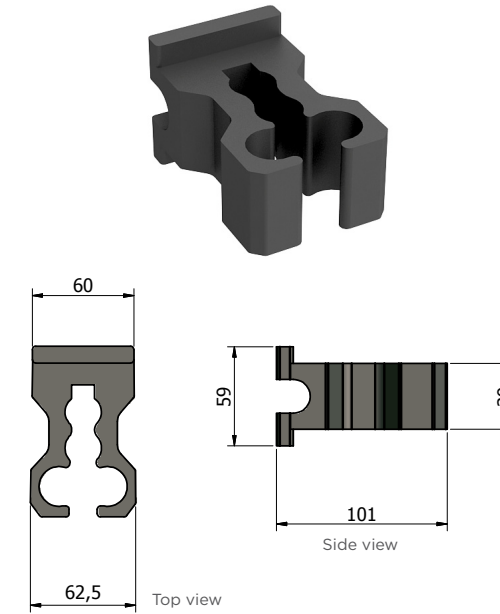
Exemplary assembly of the gun holders on the rail:

⚠ Foam gun holders are assembled as one piece not separately.

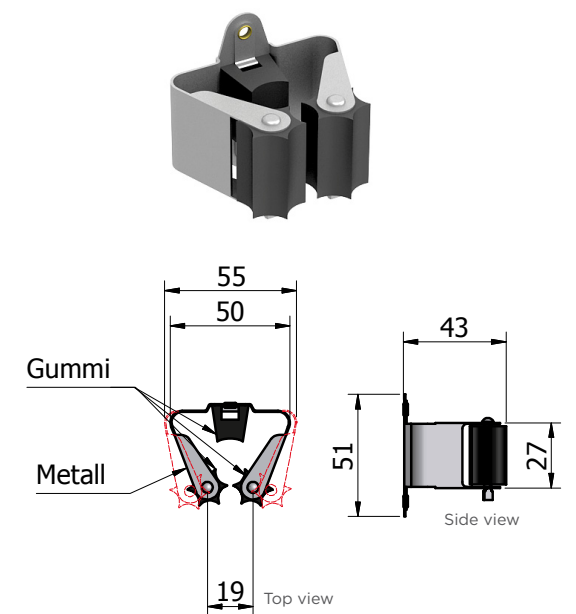


Rubbery gun holders

Rubbery gun holder

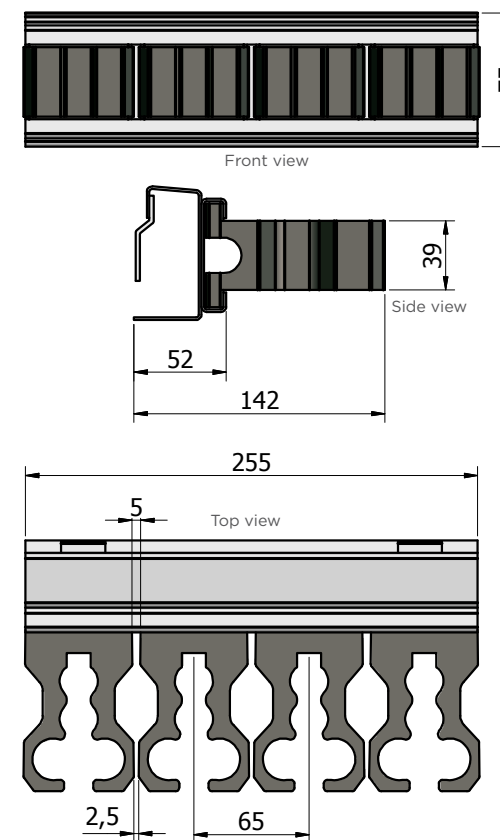


PRAX gun holder



Exemplary assembly of the gun holders on the rail:

⚠ Rubbery gun holders may be assembled on the rail separately, which enables extending of the distance between them. There is a possibility to disassembly particular gun holders. Special rail required.



⚠ Gun holders may be screwed to the rail separately, which enables extending of the distance between them.

Special rail required.

